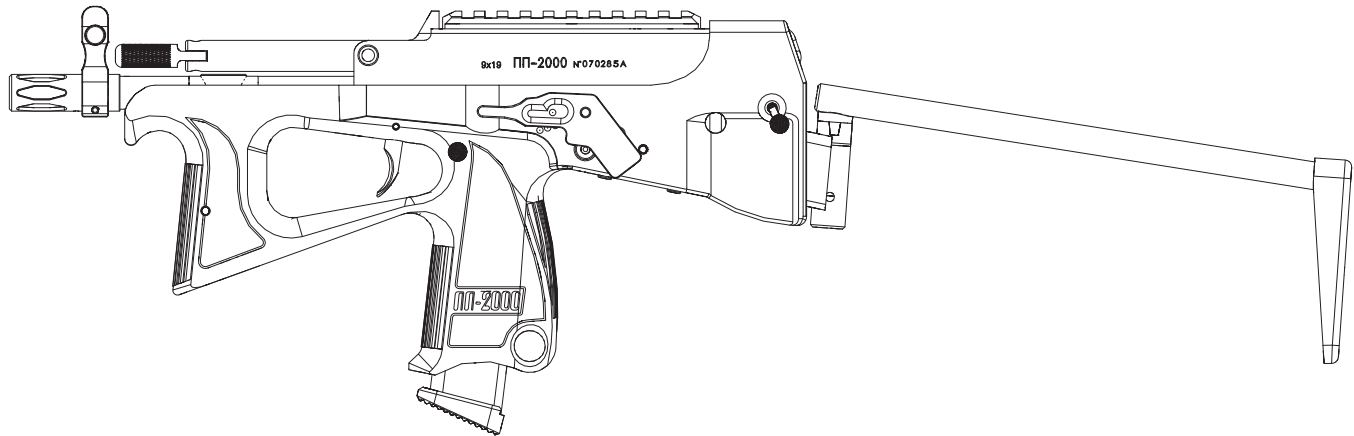


GAS BLOW BACK



PP-2K

AIRSOFT SUBMACHINE GUN



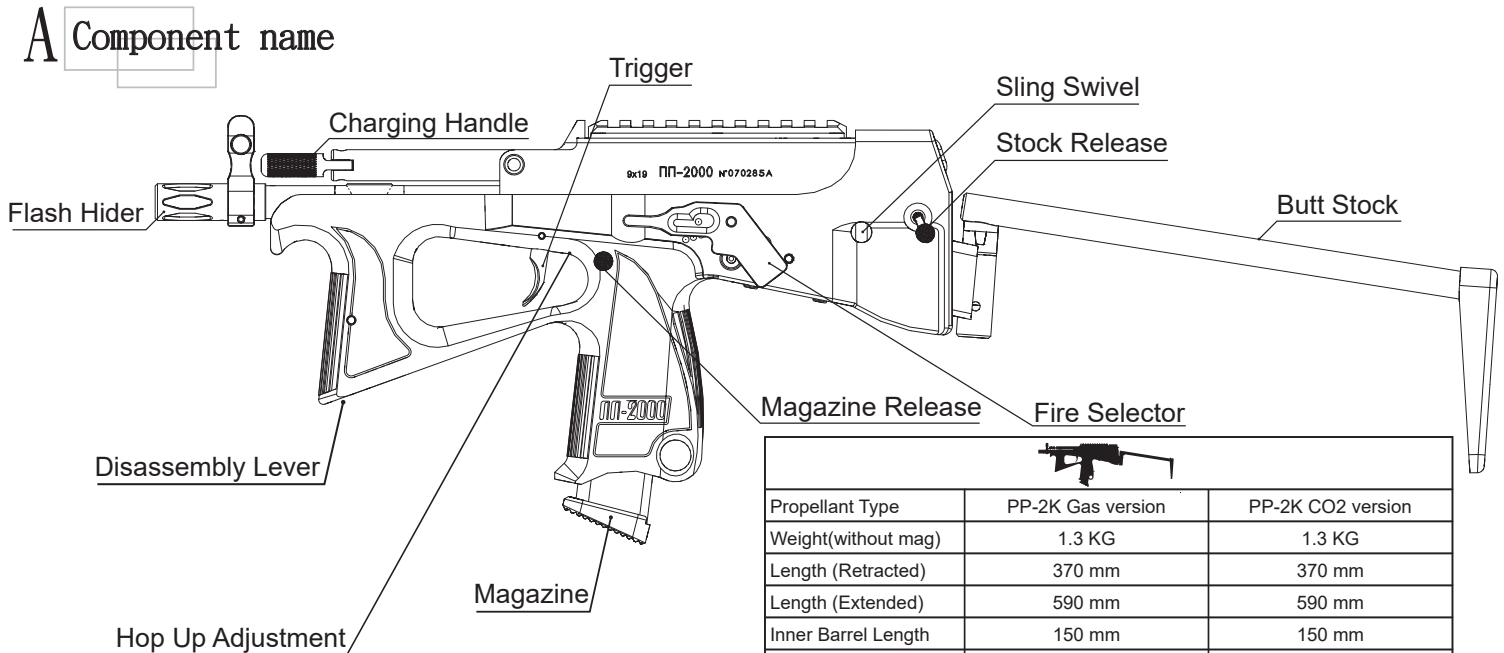
INSTRUCTION MANUAL




**[PP-2K]
How-To**



**Join Modify Airsoft
Owners Group**

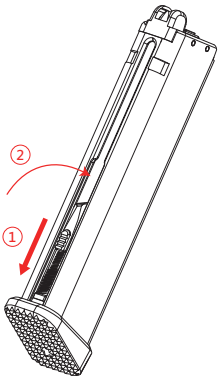


		
	PP-2K Gas version	PP-2K CO2 version
Propellant Type	PP-2K Gas version	PP-2K CO2 version
Weight(without mag)	1.3 KG	1.3 KG
Length (Retracted)	370 mm	370 mm
Length (Extended)	590 mm	590 mm
Inner Barrel Length	150 mm	150 mm
Inner Barrel Diameter	6.03 mm	6.03 mm
Magazine Capacity	22 rds	22 rds
Major Color	BLACK / PINK / WHITE	BLACK / PINK / WHITE
Caliber	6 mm BB	6 mm BB
Velocity (2 models)	260-310 fps(80-95 m/s)	280-310 fps(85-95 m/s)
	295-330 fps(90-100 m/s)	360-395 fps(110-120 m/s)
Operating Temperature	20~25°C 68~77°F	20~25°C 68~77°F

B Magazine attachment

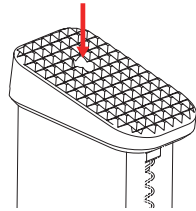
B-01 | Load BBs

1. Push down magazine follower.
2. Load BBs into the opening till full.



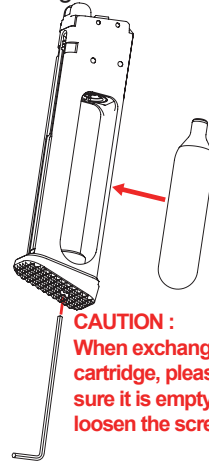
B-02 | GAS charging / Exchange CO2 Cartridge

1. Push gas canister nozzle into charging vavle.
2. Charge magazine until gas outflows from charging vavle.



**Make sure charging vavle and gas canister nozzle are aligned to avoid damage.
DO NOT use high pressure gas (over 14 kg) to avoid damaging other parts.**

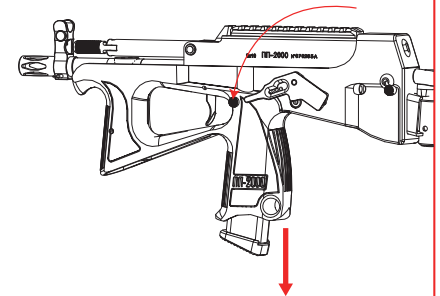
1. Put CO2 cartridge in position and turn the 4mm hex key clockwise to tighten.



CAUTION :
When exchanging CO2 cartridge, please make sure it is empty before loosen the screw.

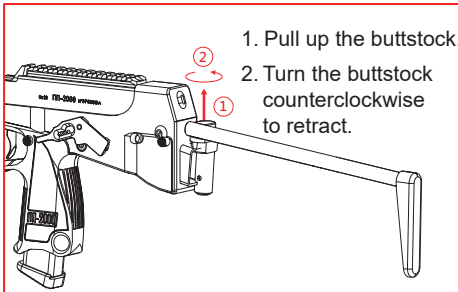
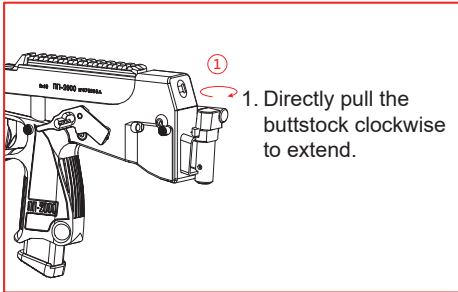
B-03 | Magazine reloading

1. Press magazine release button to remove empty magazine and then reinsert a new one.

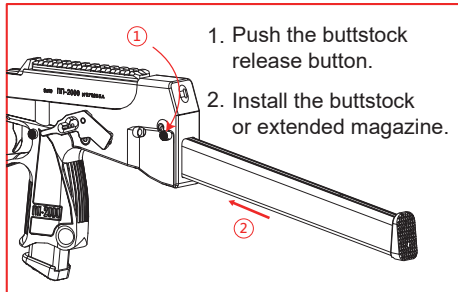
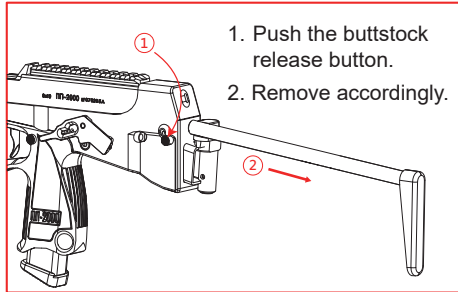


C Operation

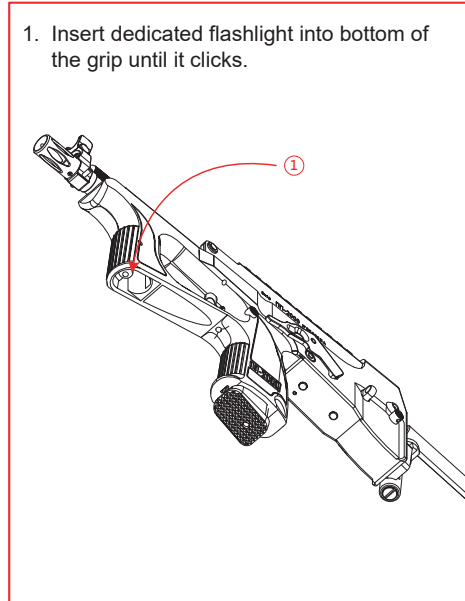
C-01 | Buttstock extension and retraction



C-02 | Buttstock removal and replacement

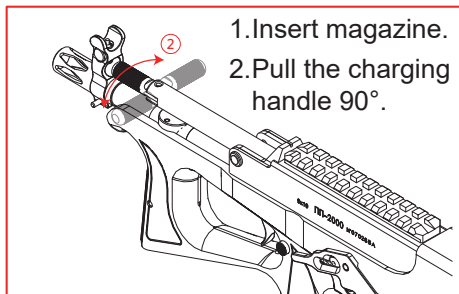


C-03 | Tactical flashlight installation/removal

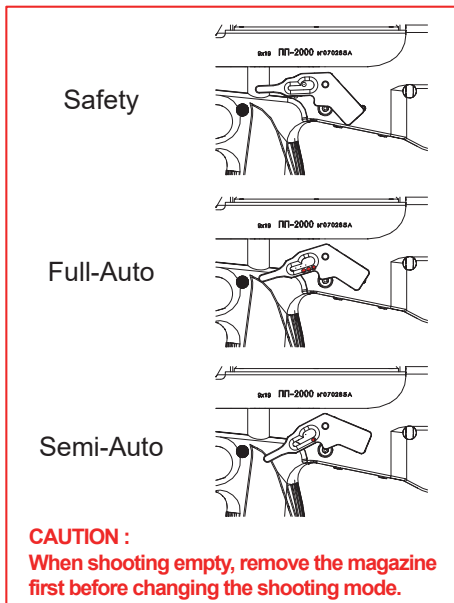


D Fire

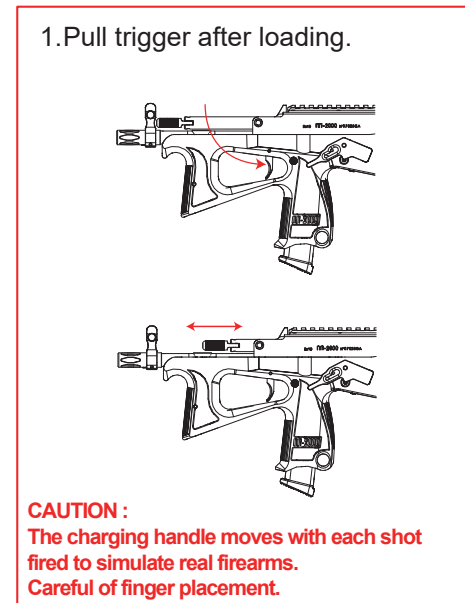
D-01 | Loading



D-02 | Select shooting mode



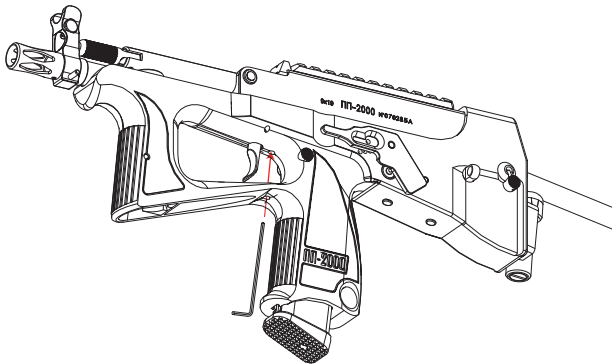
D-03 | Shooting



E Hop Up Adjustment

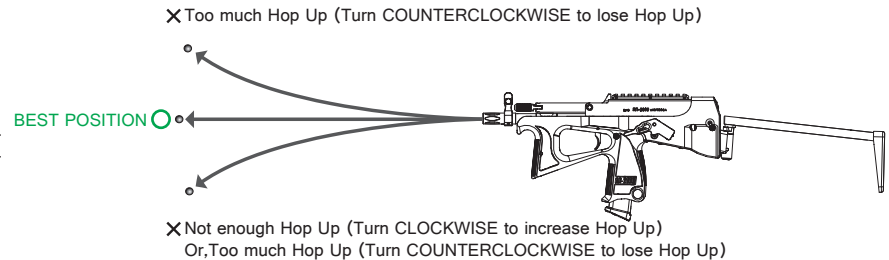
E-01 | Hop Up Adjustment

Adjust nut in bottom of trigger guard with included 3mm hex key.
 Clockwise to increase and counterclockwise to decrease.



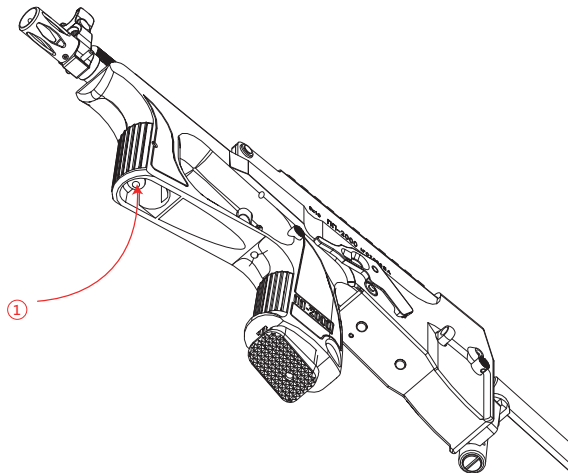
E-02 | Trajectory adjustment

Decrease the Hop Up if BBs travel upward.
 Increase if BBs travel downward.
 Adjust the Hop Up so BBs travel horizontally.

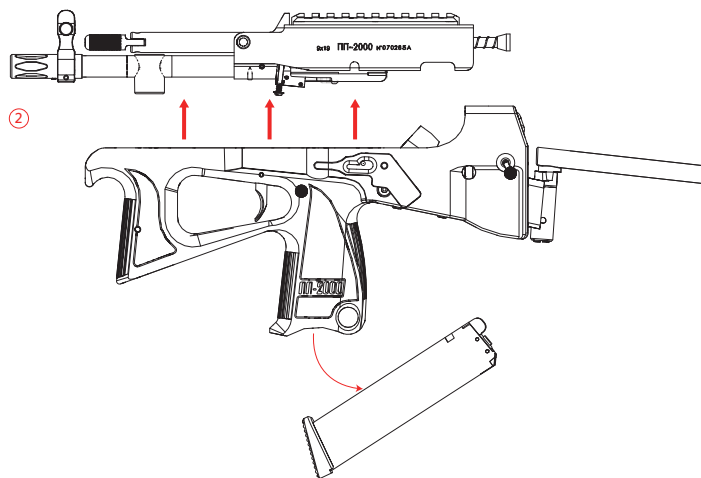


F Disassemble

1. Push the take down lever.



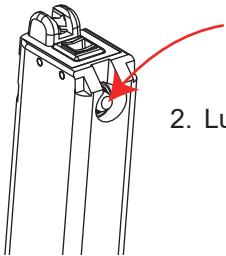
2. Separate the upper and lower body.



G Maintenance

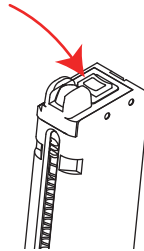
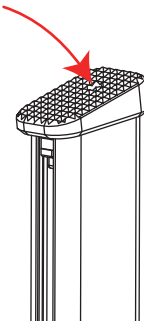
G-01 | Magazine upkeep

1. The O-ring at the magazine gas outlet and interior must be lubricated slightly with silicone oil.



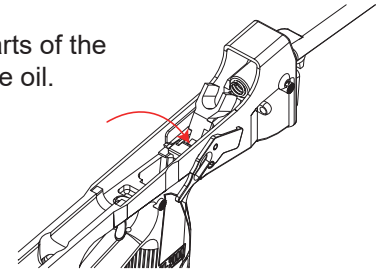
2. Lubricate similarly the gas outlet valve.

3. Slightly spray silicone oil into gas charging valve.



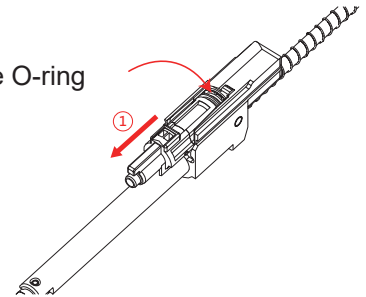
G-02 | Gun body upkeep

1. Lightly lubricate the moving parts of the trigger mechanism with silicone oil.

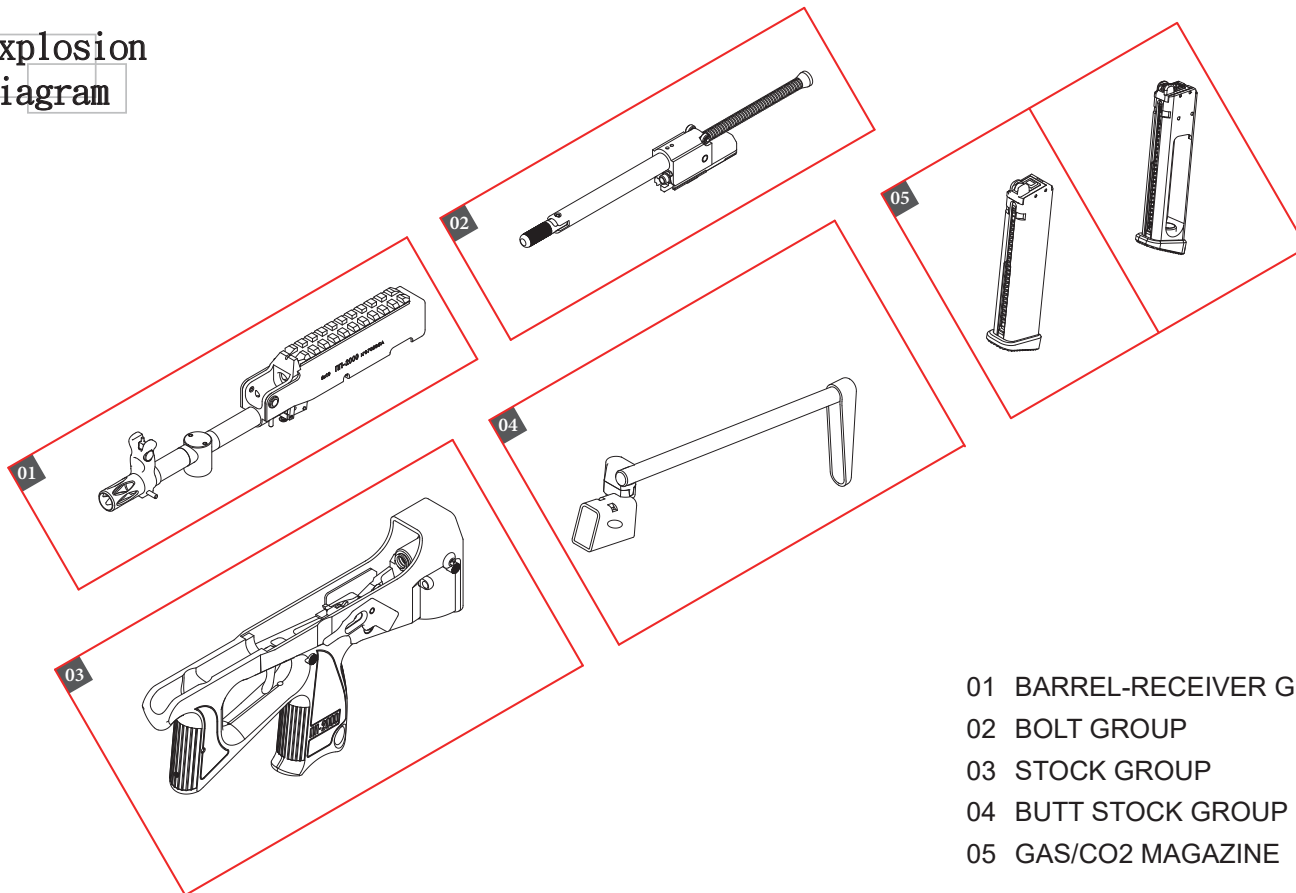


G-03 | Action upkeep

1. Pull out the nozzle to see the O-ring in the blowback housing.
2. Slightly lubricate the O-ring with silicone oil.

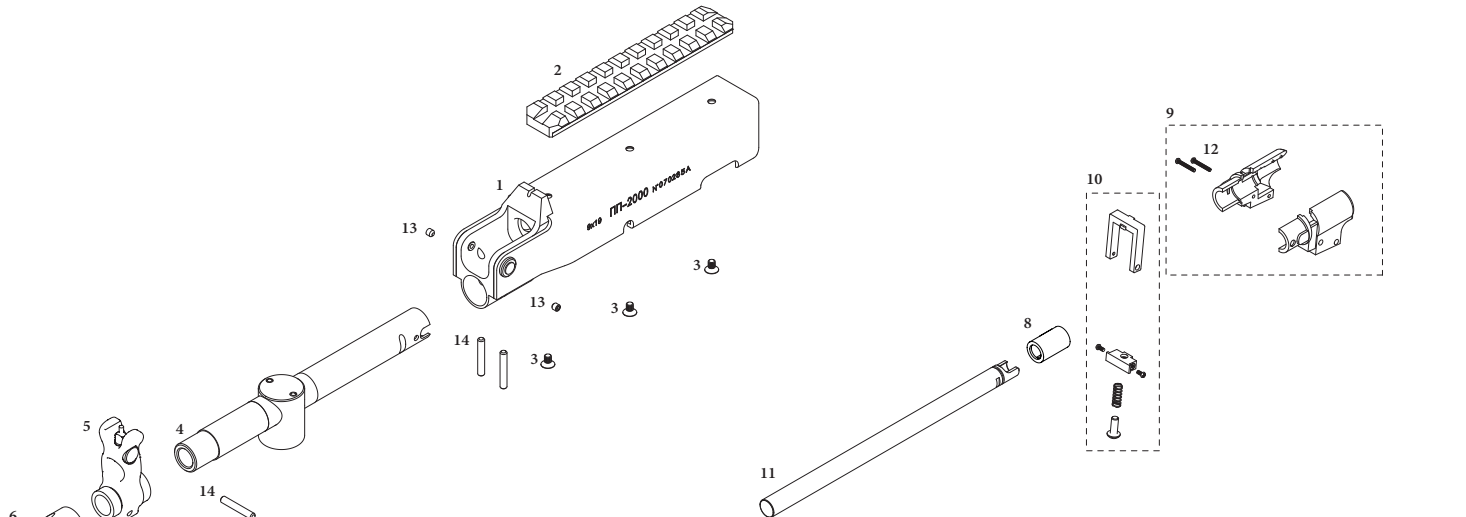


H Explosion Diagram



Explosion Diagram

01 BARREL-RECEIVER GROUP

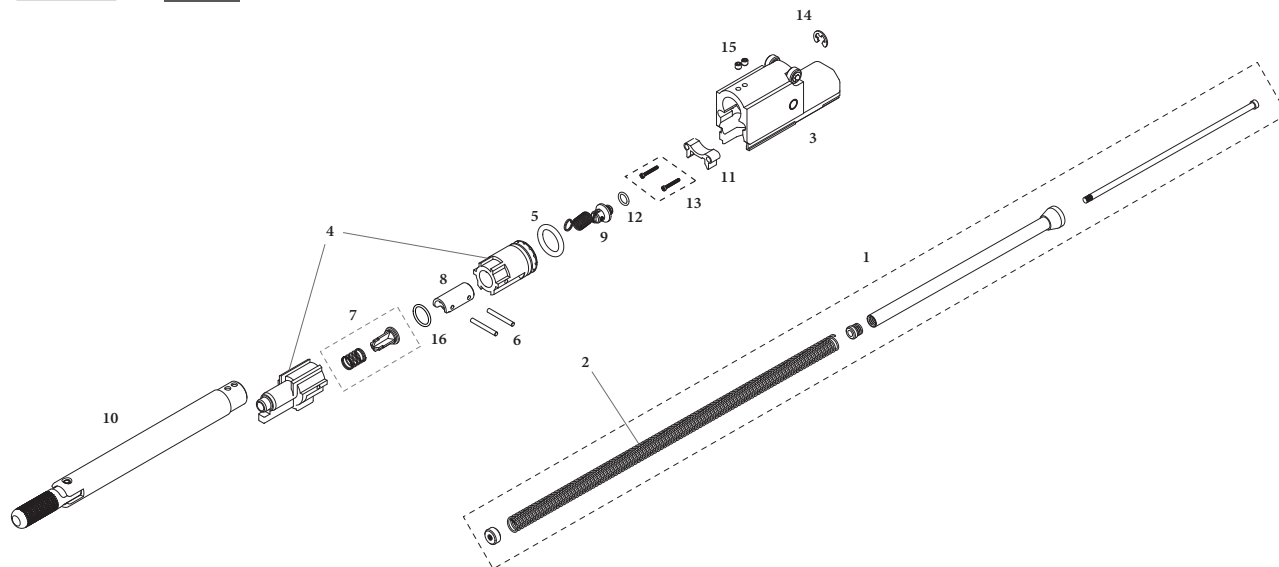


- 01-1 Receiver complete
- 01-2 Picatinny rail
- 01-3 Screw M3×5 (3 pcs)
- 01-4 Outer barrel set
- 01-5 Front sight set
- 01-6 Flash hider
- 01-7 Set screw M3×2

- 01-8 Hop up bucking
- 01-9 Hop up chamber
- 01-10 Hop up adjustment set
- 01-11 150mm inner barrel
- 01-12 Chamber screw M1.4×10 (2 pcs)
- 01-13 Set screw M3×3 (2 pcs)
- 01-14 Combine pin (3 pcs)

H Explosion Diagram

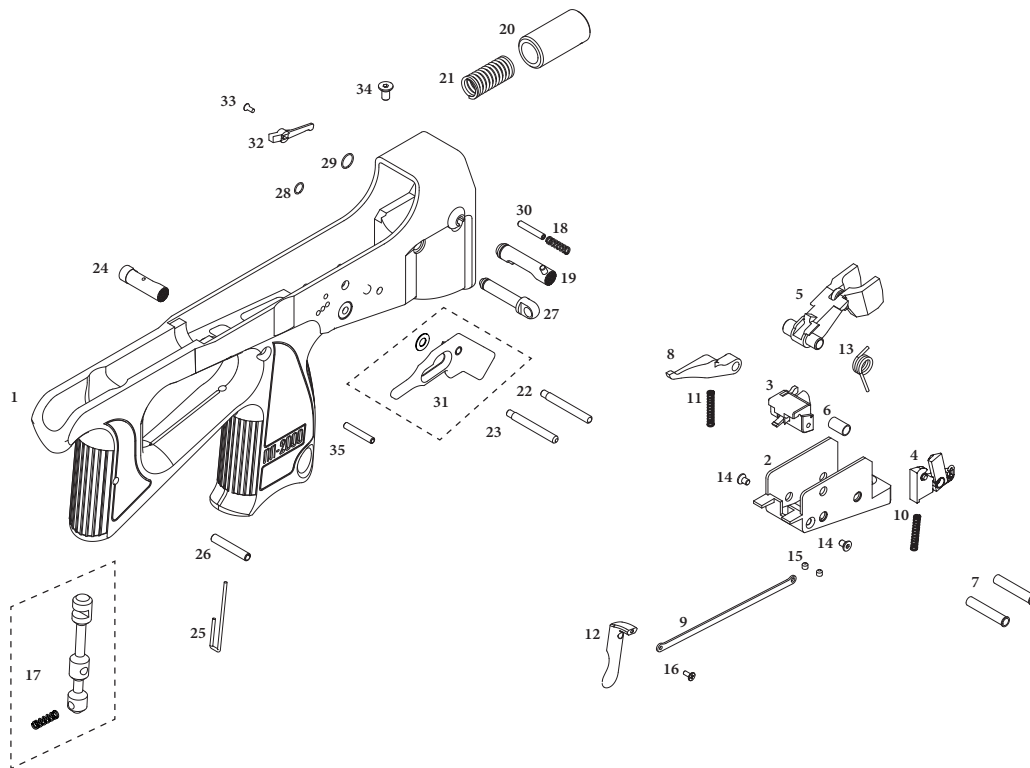
02 BOLT GROUP



- | | | | | | |
|------|-------------------------|-------|------------------------------|-------|------------------------|
| 02-1 | Spring guide set | 02-7 | Flute valve set | 02-13 | Screw M2×12 (2 pcs) |
| 02-2 | Recoil spring | 02-8 | Combin bridge | 02-14 | E-clip |
| 02-3 | Bolt carrier | 02-9 | Bolt-nozzle connect SUB-ASSY | 02-15 | Set screw M3×3 (2 pcs) |
| 02-4 | Loading nozzle assembly | 02-10 | Charging handle set | 02-16 | O-ring |
| 02-5 | O-ring | 02-11 | Positive stop | | |
| 02-6 | Connecting pin (2 pcs) | 02-12 | O-ring | | |

H Explosion Diagram

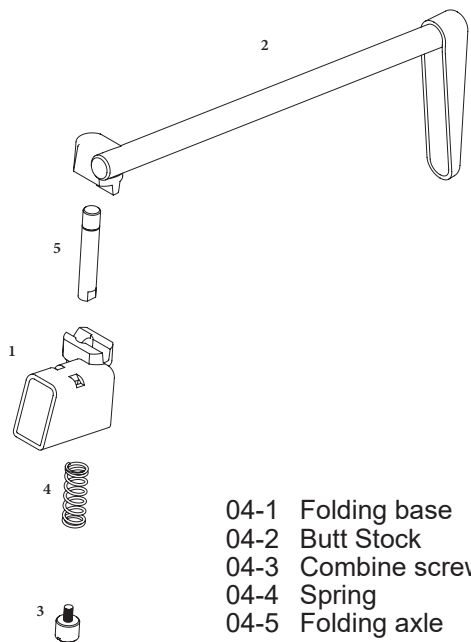
03 STOCK GROUP



- 03-1 Stock
- 03-2 Hammer chassis
- 03-3 Knocker set
- 03-4 Sear set
- 03-5 Hammer
- 03-6 Sleeve bearing
- 03-7 Hammer start pin (2 pcs)
- 03-8 Hammer lock
- 03-9 Trigger bar
- 03-10 Sear spring
- 03-11 Hammer lock spring
- 03-12 Trigger
- 03-13 Hammer spring
- 03-14 Screw M3×5 (2 pcs)
- 03-15 Set screw M3×3 (2 pcs)
- 03-16 Screw M2×5
- 03-17 Take down lever with spring
- 03-18 Spring
- 03-19 Stock release
- 03-20 Buffer
- 03-21 Buffer spring
- 03-22 Pin
- 03-23 Pin
- 03-24 Magazine release
- 03-25 Release spring
- 03-26 Pin
- 03-27 Sling swivel
- 03-28 Sling lock washer
- 03-29 Stock lock washer
- 03-30 Set screw M3×18
- 03-31 Fire Selector with washer
- 03-32 Fire selector lever
- 03-33 Screw M2×5
- 03-34 Screw M4×10
- 03-35 Pin

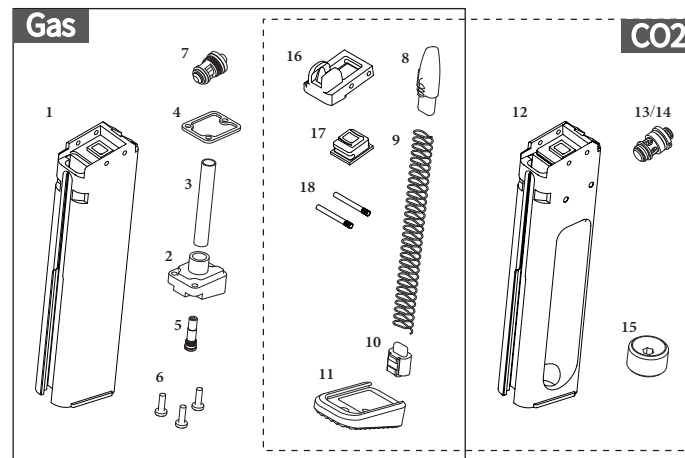
H Explosion Diagram

04 BUTT STOCK GROUP



- 04-1 Folding base
- 04-2 Butt Stock
- 04-3 Combine screw
- 04-4 Spring
- 04-5 Folding axle

05 GAS/CO2 MAGAZINE



- | | |
|---------------------------|---------------------------|
| 05-1 Gas body magazine | 05-10 Magazine floor |
| 05-2 Bottom magazine | 05-11 Magazine base pad |
| 05-3 Regulator pipe | 05-12 CO2 body magazine |
| 05-4 Magazine seal pad | 05-13 Modify CO2 Valve |
| 05-5 Injection valve | 05-14 Koba CO2 Valve |
| 05-6 Screw M2.5x8 (3 pcs) | 05-15 Capsule fixed screw |
| 05-7 Gas valve | 05-16 Feeding lip |
| 05-8 Magazine follower | 05-17 Magazine lip seal |
| 05-9 Follower spring | 05-18 Pin (2 pcs) |

Trouble Shooting

1. In case of BB clogging, pull out the magazine and then pull the charging handle. Continue operation after a BB falls out.
2. Check for gas leakage in the magazine before operation.
3. Gas leakage compromises overall efficiency. Consult a gunsmith or expert in case of gas leakage.
4. Clean regularly the barrel with cleaning rod to avoid BB clogging and upkeep shooting accuracy.

Notice and Warning



DO NOT use recycled or low-quality BBs to avoid clogging and damage to barrel.



DO NOT use high-pressure (kg-rated) gas tanks to avoid damage to gun parts.



NEVER aim guns at people.



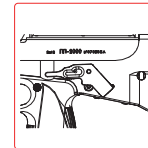
DO NOT shoot small animals.



DO NOT look into barrels.



Never disassemble or modify the airsoft gun it may cause the trouble and dangerous.



ALWAYS make sure safety is ON when not using guns.

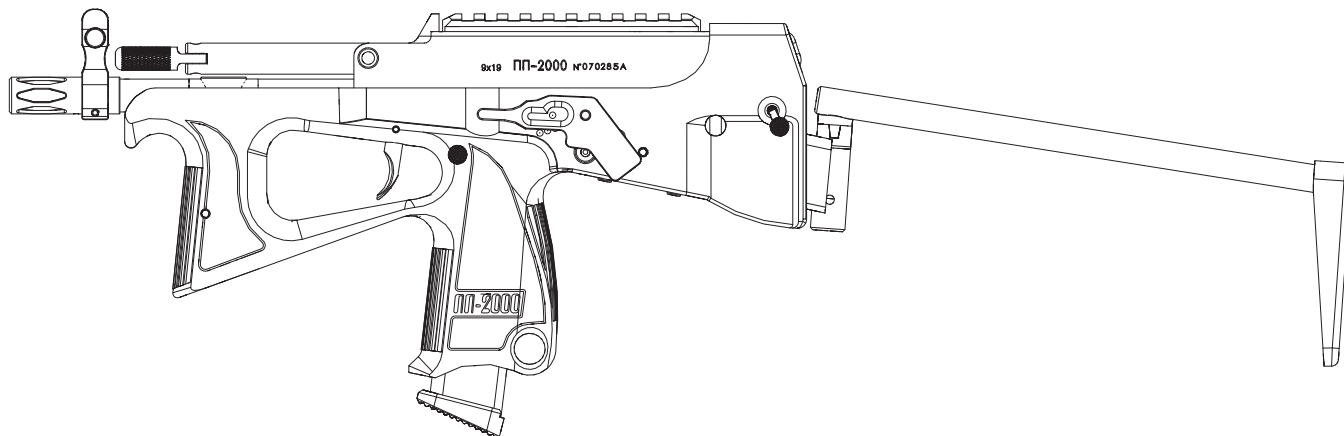


ALWAYS carry guns in cases to avoid risky open carry.

GAS BLOW BACK

PP-2K

AIRSOFT SUBMACHINE GUN



INSTRUCTION MANUAL (Chinese)



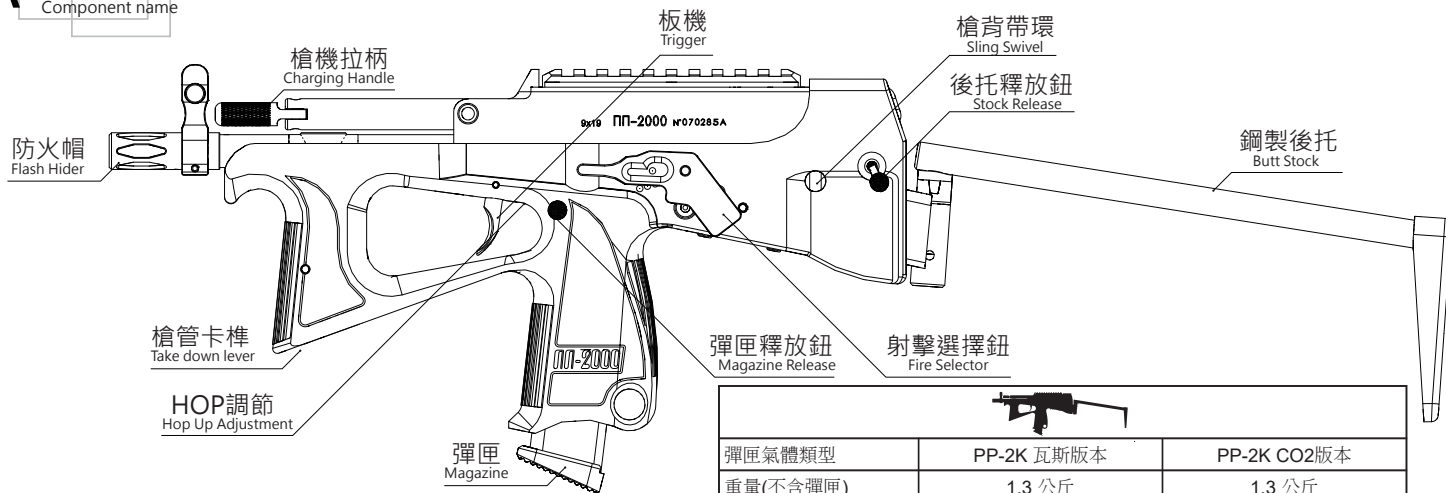
**[PP-2K]
How-To**




**Join Modify Airsoft
Owners Group**

A 各部名稱

Component name



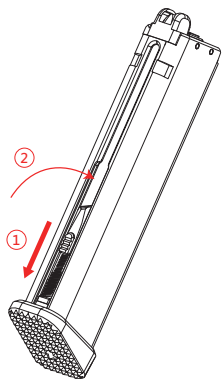
		
彈匣氣體類型	PP-2K 瓦斯版本	PP-2K CO2版本
重量(不含彈匣)	1.3 公斤	1.3 公斤
長度 (摺疊狀態)	370 mm	370 mm
長度 (展開狀態)	590 mm	590 mm
內管長度	150 mm	150 mm
內管管徑	6.03 mm	6.03 mm
彈匣容量	22 發	22 發
顏色種類	黑 / 粉 / 白	黑 / 粉 / 白
彈藥種類	6 mm BB	6 mm BB
槍口初速 (2 種類別)	260-310 fps(80-95 m/s)	280-310 fps(85-95 m/s)
	295-330 fps(90-100 m/s)	360-395 fps(110-120 m/s)
建議操作溫度	20~25°C 68~77°F	20~25°C 68~77°F

B 彈匣使用方式

Magazine attachment

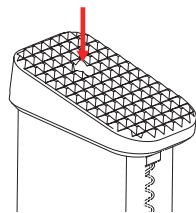
B-01 裝填BB彈

1. 將頂彈桿向下壓。
2. 由寬口處填入BB彈。



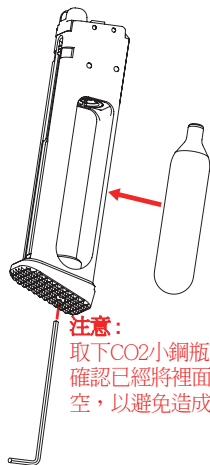
B-02 瓦斯填裝 / 更換 CO2小鋼瓶

1. 將生存遊戲用瓦斯罐的出氣嘴對準彈匣瓦斯進氣嘴。
2. 建議裝填瓦斯約5秒。



為避免瓦斯罐出氣嘴及彈匣進氣嘴受到傷害，確定對準後再灌氣。請**不要**使用高磅數瓦斯(超過14kg)以避免危險&造成彈匣本體的傷害。

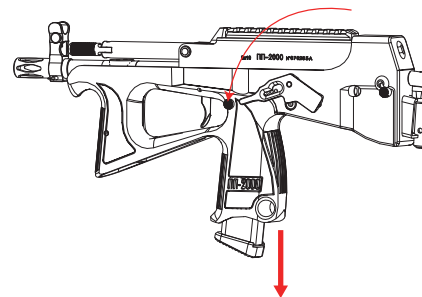
1. 放入CO2小鋼瓶至對應位置後使用4mm的六角扳手順時鐘旋緊。



注意：取下CO2小鋼瓶前，請先確認已經將裡面的CO2排空，以避免造成危險。

B-03 裝卸彈匣

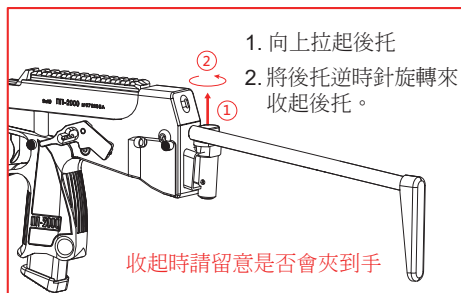
1. 按壓下圖所示之彈匣釋放鈕將彈匣緩緩抽出後便可更換新的彈匣。



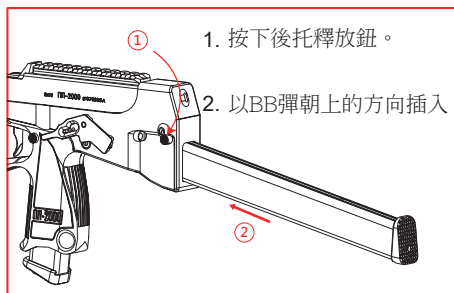
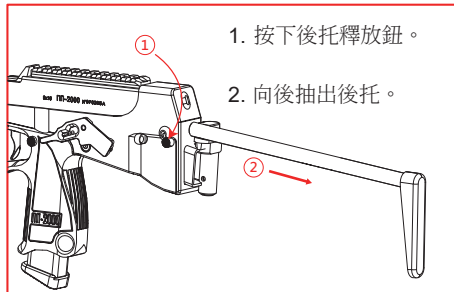
C 可動部件說明

Operation

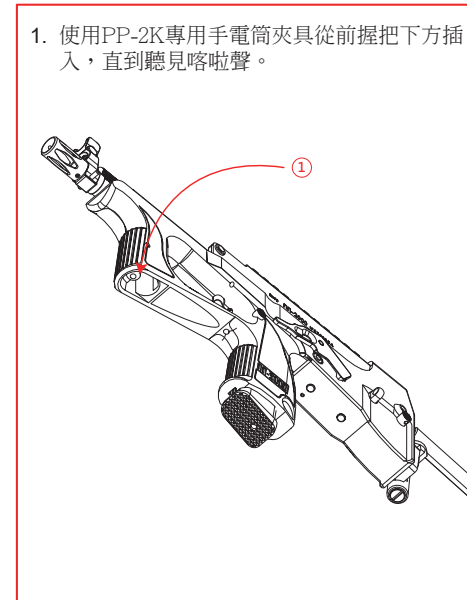
C-01 | 後托展開與收起



C-02 | 後托拆卸與更換



C-03 | 戰術燈筒安裝與拆卸



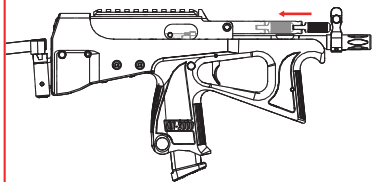
D 可動部件說明

Fire

D-01 | 上膛



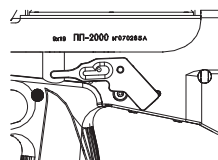
3. 向後拉上膛(Safety模式下無法操作)



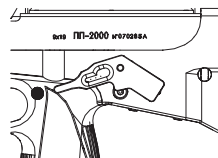
射擊前&卸彈前動作

D-02 | 變更射擊模式

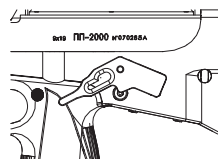
Safety



Full-Auto



Semi-Auto

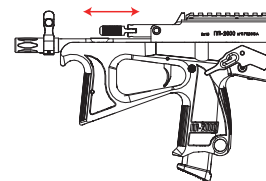
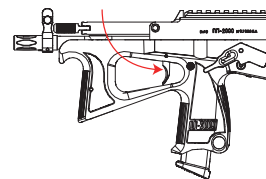


注意:

無彈不擊發狀態下，若要變更射擊模式，須先將彈匣卸下。

D-03 | 射擊

1. 上膛後在非Safety模式下扣下板機即可進行射擊。



注意:

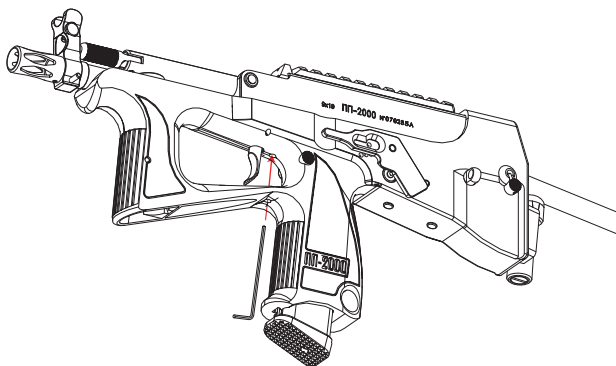
射擊時槍機拉柄會隨後座力前後動作，請小心手擺放的位置。

E 彈道調整

HOP UP Adjustment

E-01 | HOP調整方式

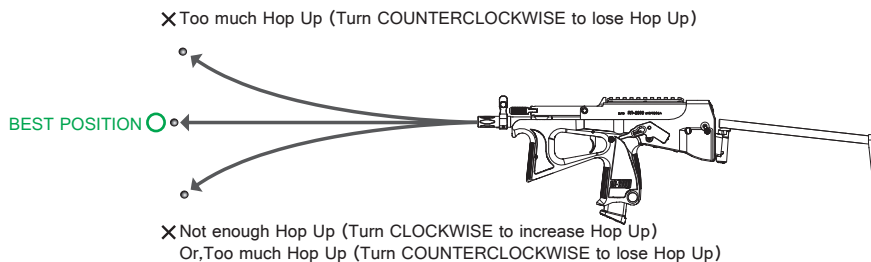
利用配件包裡附的3mm六腳板手從板機後方的小孔伸入。
順時針旋緊增加下壓量、逆時針放鬆減少下壓量。



E-02 | 彈道調整

當BB彈上飄時，逆時針旋轉以減少下壓量。
當BB彈下墜時，順時針旋轉以增加下壓量。
調整彈道直至BB彈水平飛行

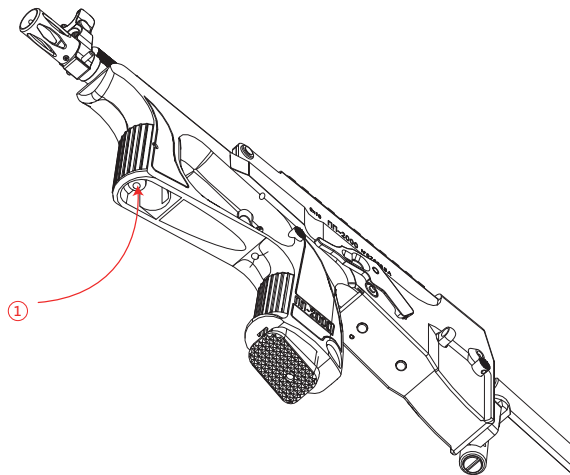
調整彈道時，請先將Hop調至最鬆後再逐步緩慢上加。



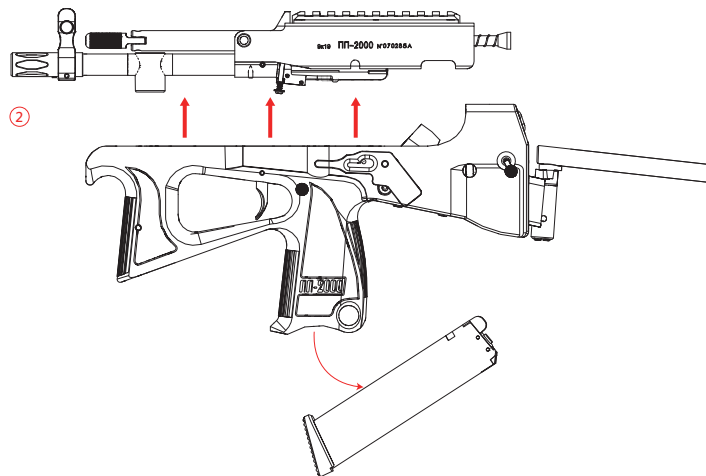
F 大部分分解

Disassemble

1. 按下分離撥桿



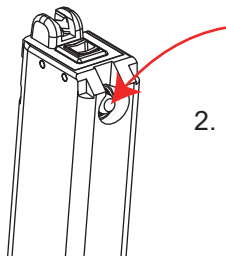
2. 分離上下槍身



G 保養
 Maintenance

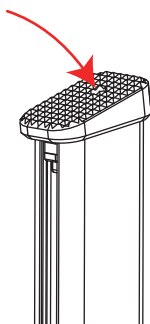
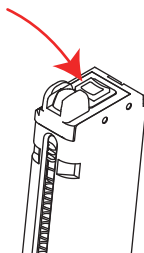
G-01 | 彈匣保養

1. 彈匣出氣口橡皮及內部O環噴上少許矽油。



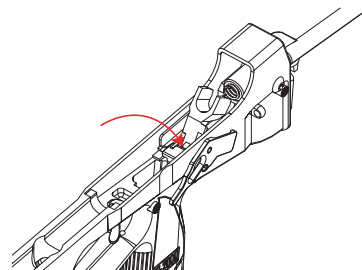
2. 出氣閥處噴上少許矽油。

3. 灌氣嘴處噴上少許矽油。



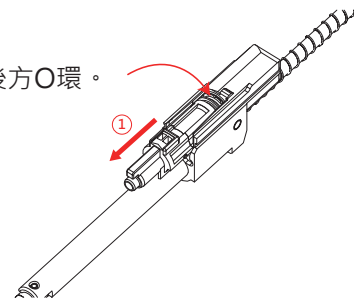
G-02 | 槍身保養

1. 板機內構作動件噴上少許矽油。

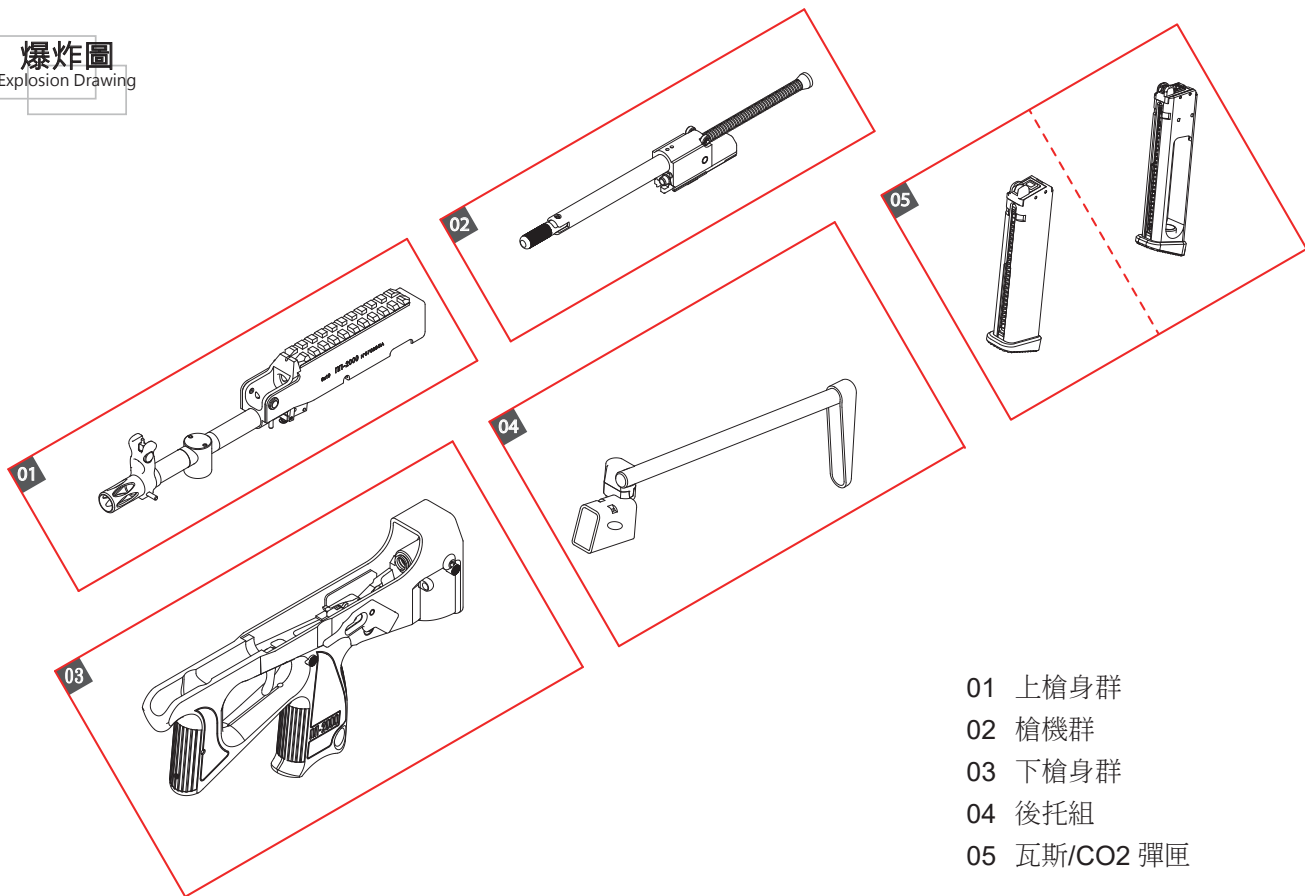


G-03 | 槍機保養

1. 將飛機拉出後，會看到飛機後方O環。
2. 對此O環噴上少許矽油。



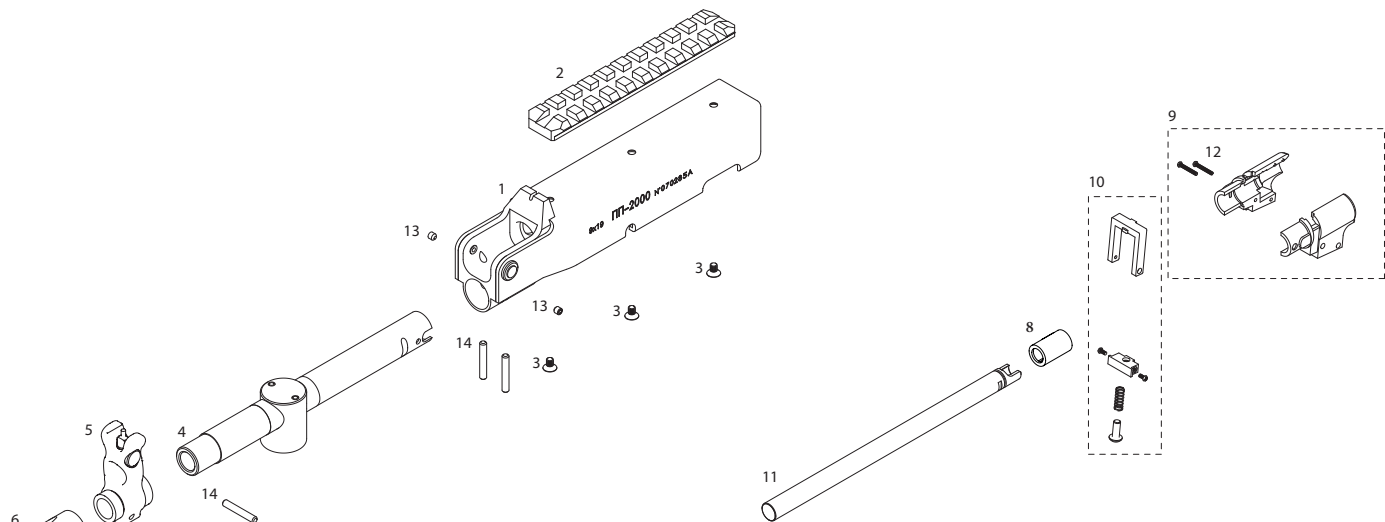
H 爆炸圖
Explosion Drawing



- 01 上槍身群
- 02 槍機群
- 03 下槍身群
- 04 後托組
- 05 瓦斯/CO2 彈匣

H 爆炸圖
Explosion Drawing

01 上槍身群

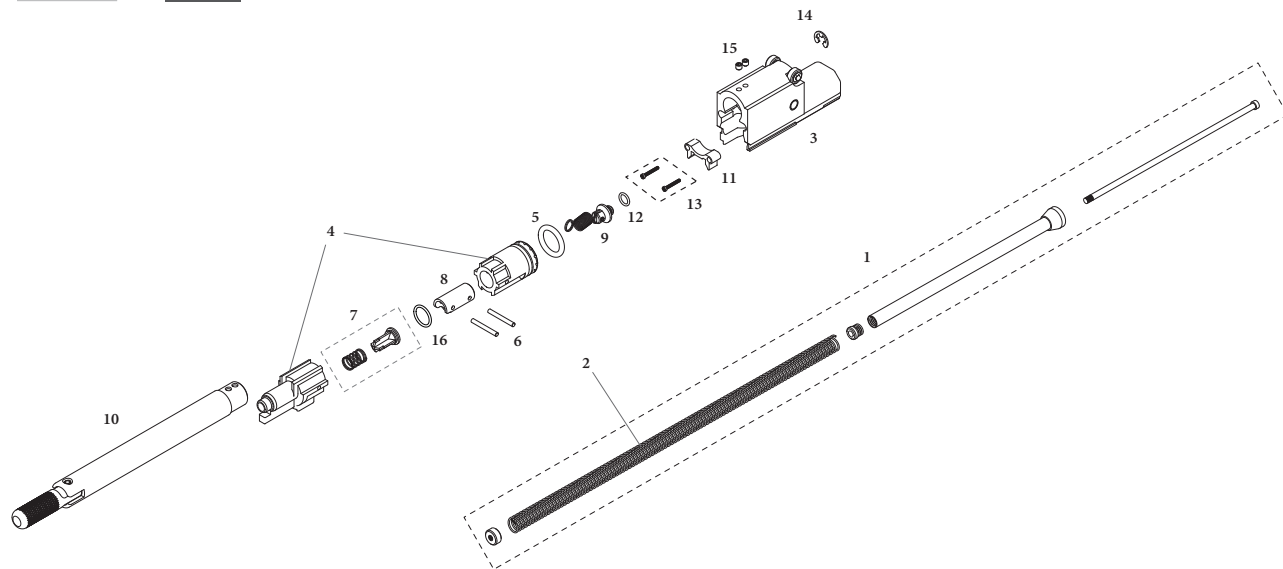


- 01-1 機匣組合
- 01-2 上軌道
- 01-3 M3×5皿頭 (3入)
- 01-4 外管組合
- 01-5 準心組
- 01-6 防火帽
- 01-7 M3×2止付

- 01-8 Hop皮
- 01-9 Hop座組
- 01-10 Hop調整組
- 01-11 150mm內管
- 01-12 Hop座螺絲 M1.4×10 (2入)
- 01-13 M3×3止付 (2入)
- 01-14 準心座插梢 (3入)

H 爆炸圖
Explosion Drawing

02 槍機群



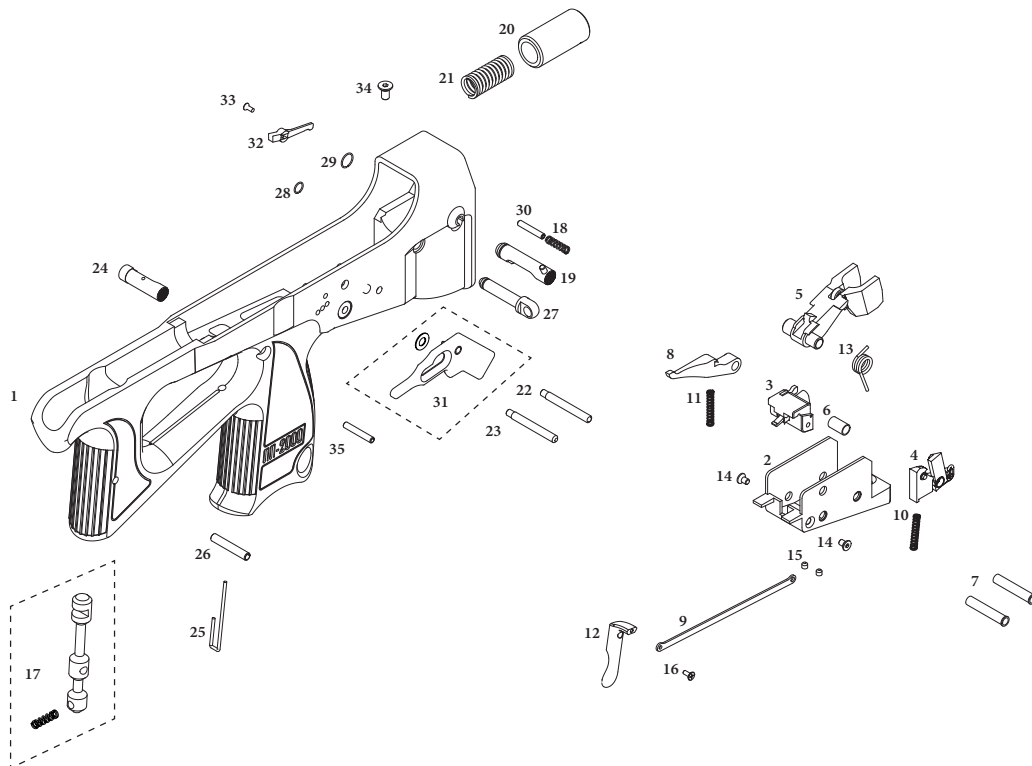
- 02-1 覆進簧座組
- 02-2 PP-2K 覆進簧
- 02-3 槍機本體組合
- 02-4 飛機本體
- 02-5 飛機O環
- 02-6 飛機插梢 (2入)

- 02-7 分流閥組
- 02-8 飛機連結
- 02-9 槍機-飛機連接座組合
- 02-10 槍機拉柄組合
- 02-11 飛機限位塊
- 02-12 連接座O環

- 02-13 飛機限位塊螺絲 (2入)
- 02-14 槍機本體E扣
- 02-15 M3×3止付 (2入)
- 02-16 飛機連結O環

H 爆炸圖
Explosion Drawing

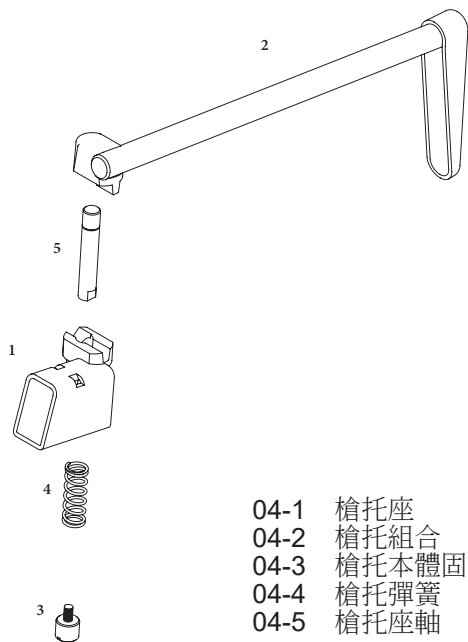
03 下槍身群



- 03-1 下槍身
- 03-2 扳機座
- 03-3 擊針座組合
- 03-4 司牙組
- 03-5 擊錘組合
- 03-6 扳機套筒
- 03-7 擊錘插梢套筒 (2入)
- 03-8 擊錘延遲
- 03-9 扳機連桿
- 03-10 司牙彈簧
- 03-11 擊錘延遲彈簧
- 03-12 扳機
- 03-13 擊錘彈簧
- 03-14 M3×5皿頭 (2入)
- 03-15 M3×3止付 (2入)
- 03-16 扳機平頭螺絲 M2×5
- 03-17 槍管卡榫
- 03-18 後托釋放鈕彈簧
- 03-19 槍托座插梢組合
- 03-20 緩衝器
- 03-21 緩衝彈簧
- 03-22 司牙銷組合
- 03-23 扳機座插梢
- 03-24 彈匣釋放鈕
- 03-25 彈匣釋放鈕彈簧
- 03-26 槍管卡榫插梢
- 03-27 背帶環
- 03-28 背帶環彈簧
- 03-29 槍托座插梢彈簧
- 03-30 M3×18止付
- 03-31 射選鈕 (含墊片)
- 03-32 射選鈕連桿
- 03-33 M2×5皿頭
- 03-34 M4×10皿頭
- 03-35 扳機插梢

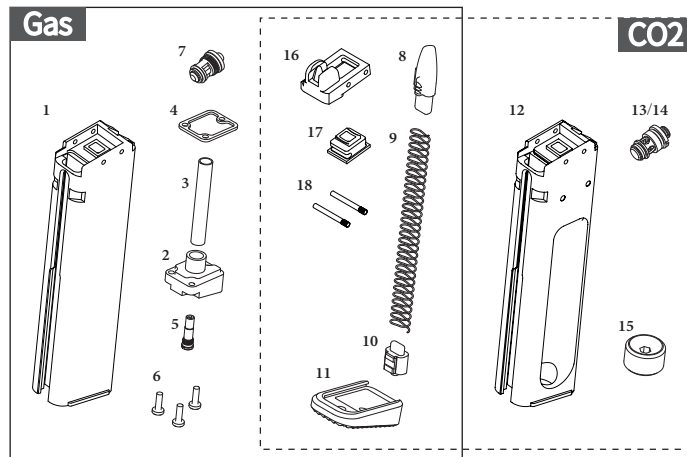
H 爆炸圖
Explosion Drawing

04 後托組



- 04-1 槍托座
- 04-2 槍托組合
- 04-3 槍托本體固定環
- 04-4 槍托彈簧
- 04-5 槍托座軸

05 瓦斯/CO2彈匣



- 05-1 瓦斯彈匣本體
- 05-2 彈匣本體底蓋
- 05-3 灌氣嘴延伸
- 05-4 彈匣本體底蓋橡膠圈
- 05-5 灌氣嘴
- 05-6 M2.5×8半圓頭 (3入)
- 05-7 氣閥
- 05-8 頂彈桿
- 05-9 130mm方形彈簧
- 05-10 彈匣彈簧座
- 05-11 彈匣底蓋
- 05-12 CO2 彈匣本體
- 05-13 Modify CO2 氣閥
- 05-14 Koba CO2 氣閥
- 05-15 CO2 鋼瓶固定座
- 05-16 含彈嘴
- 05-17 瓦斯彈匣出氣膠圈
- 05-18 插銷 (2入)

狀況排除 Trouble Shooting

1. 如發現有卡彈的情形，應卸除彈匣並重拉槍機。確認卡彈的BB彈掉出後，再繼續使用。
2. 使用前請確認彈匣是否有出現漏氣現象。
3. 若出現漏氣現象，會出現效能損失。應交給專業人士協助處理。
4. 請定期使用通槍條清潔槍管，以保持槍支射擊時的精準性及減少卡彈的情形發生。

警告與注意事項 Notice and Warning



DO NOT use recycled or low-quality BBs to avoid clogging and damage to barrel.



DO NOT use high-pressure (kg-rated) gas tanks to avoid damage to gun parts.



NEVER aim guns at people.



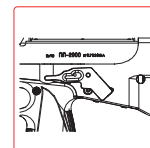
DO NOT shoot small animals.



DO NOT look into barrels.



Never disassemble or modify the airsoft gun it may cause the trouble and dangerous.



ALWAYS make sure safety is ON when not using guns.



ALWAYS carry guns in cases to avoid risky open carry.

GAS BLOW BACK

PP-2K

AIRSOFT SUBMACHINE GUN



Contact us



+886-3-379-8879



+886-3-369-5091



sales@modify-tech.com
marketing@modify.com.tw



桃園市八德區永豐路384巷21號
No.21, Ln.384, Yongfeng Rd. Bade Dist, Taoyuan City 334015 , Taiwan



Website



FaceBook